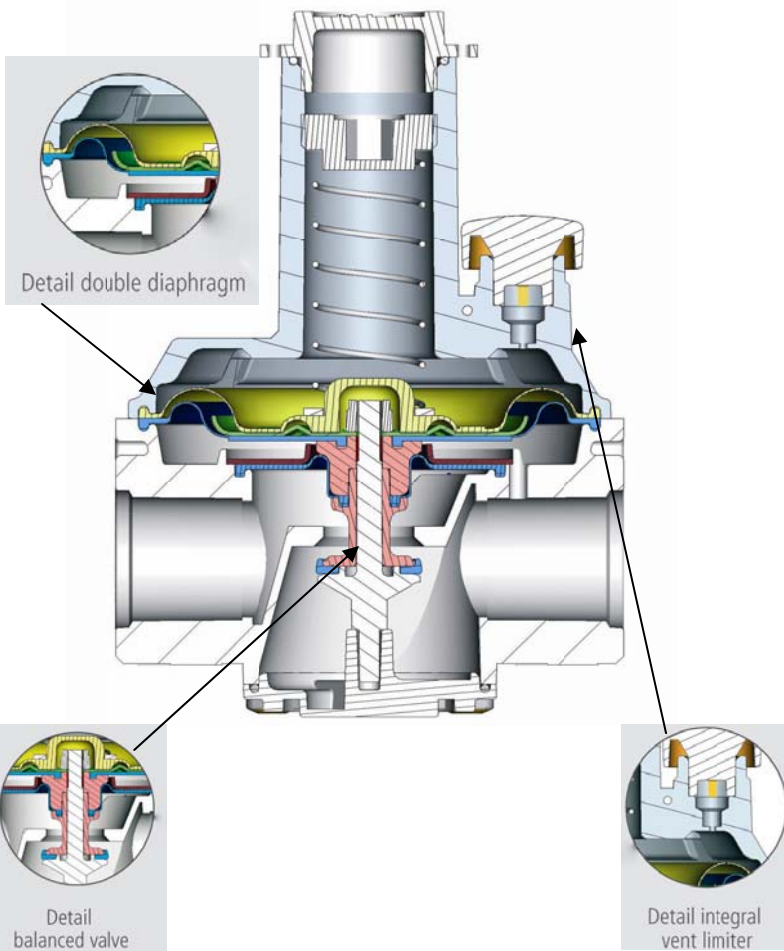


Typical sectional drawing with detail of the redundant main diaphragm



FEATURES

- Integral Vent Limiter
- Straight-through or angle body connections.
- Can be mounted in any position
- Inlet and Outlet test ports
- Optional incorporated slam shut (Slam shut provides both over and under pressure protection)
- Optional incorporated filter (50 Micron)

SPECIFICATIONS

- Inlet pressure: 4" W.C. to 7 PSIG
- Outlet pressure range: 2" W.C. to 4.34 PSIG
- **CSA Compliant to ANSI Z21.80A-2005 · CSA 6.22a-2005 Class II for outlet pressures up to 2 PSIG**
- Temperature range: -40°F to 125°F
- Suitable for use with Natural Gas, LPG, Propane-air and any non-corrosive clean gas.
- Available in : 1/2" – 2" NPT & 2" - 4" Flanged
- Minimum ΔP - 1" W.C.

INSTALLATION SAVING

- The integral vent limiter and double diaphragm eliminate the need for vent piping for indoor installations. †
 - High capacities, which allows the use of smaller sizes.
 - Straight-through or angle body connections, as well as mounting in any position for ease of installation.
- † **Installation requirements are subject to all local codes and standards.**

Pietro Fiorentini

888-618-8787 • Fax 770-448-7312

www.gasinside.com



GOVERNORS CAPACITY TABLE

Model's 30051- 30052-30053



MAXIMUM EMERGENCY PRESSURE 14.5 PSIG
 MAXIMUM INLET PRESSURE 7.25 PSIG
 TEMPERATURE RANGE -25°F + 140°F
 VENT CONNECTION 1/4" NPT

ANSI Z21.80A-2005 · CSA 6.22a-2005

* Yellow Color indicates CSA Certified Line Pressure Flow Capacities @ 20" W.C drop *

CAPACITIES IN SCFH

* For 30051/30052/30053 compact models, MAX OUTLET PRESSURE = 2,18 psig

SMALL CAPACITY MODEL

Model #	Outlet Pressure	Operating Inlet Pressure					
		1/2 psi	3/4 psi	1 psi	2 psi	5 psi	7 psi
30051	4" w.c.	466	610	716	924	924	924
1/2" compact	7" w.c.	386	553	* 635 *	928	928	928
	10" w.c.	297	496	628	928	928	928
	14" w.c.		366	558	936	936	936
	1 PSIG				853	952	952
	2 PSIG					988	988

Model #	Outlet Pressure	Operating Inlet Pressure					
		1/2 psi	3/4 psi	1 psi	2 psi	5 psi	7 psi
30052	4" w.c.	466	762	898	1,155	1,155	1,155
3/4" compact	7" w.c.	386	691	* 848 *	1,155	1,155	1,155
	10" w.c.	297	621	778	1,155	1,155	1,155
	14" w.c.		450	698	1,170	1,170	1,170
	1 PSIG				1,066	1,190	1,190
	2 PSIG					1,235	1,235

Model #	Outlet Pressure	Operating Inlet Pressure					
		1/2 psi	3/4 psi	1 psi	2 psi	5 psi	7 psi
30053	4" w.c.	466	991	1,168	1,501	1,501	1,501
1" compact	7" w.c.	386	899	* 1,059 *	1,501	1,501	1,501
	10" w.c.	297	807	1,093	1,501	1,501	1,501
	14" w.c.		595	906	1,521	1,521	1,521
	1 PSIG				1,386	1,547	1,547
	2 PSIG					1,605	1,605

SPRING CHART COLOR CODE

2" TO 5" W.C.
4" TO 11.8" W.C.
9.8" TO 27.5" W.C
23.6" TO 59" W.C OR .85 TO 2.12 PSIG