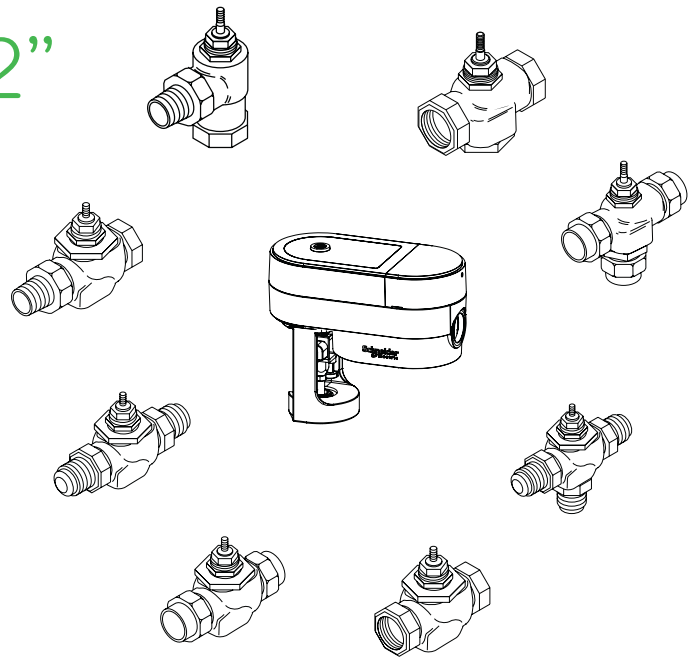


VB-7000 Series 1/2” to 2” Globe Valves with MG350V Series SmartX Actuators



Product Description

Schneider Electric MG350V non-spring actuators and VB-7000 series two and three-way globe valves provide for control of fan coils, unit ventilators, reheat, cooling units, perimeter heating and other applications. Input signal options include 0...10 Vdc, 2...10 Vdc, 4...20 mA proportional, floating, two-position, and pulse width modulation (PWM).

Valve and Actuator Selection Procedure

- Determine the required flow coefficient (Cv/kvs). Using the required flow and pressure drop for the application (consult CA28, F-13755 if necessary), determine the required flow coefficient.
- Determine the valve body part number. Select a two-way valve body from Table 1 or a three-way mixing or diverting valve body from Table 2 that has the required flow coefficient, size, body pattern, end connection, and temperature/pressure ratings appropriate for the application.
- Select the MG350V actuator. Using the required close-off pressure for the application, consult Table 5 and select a SmartX actuator that provides sufficient close-off pressure for the valve body selected in Step 2. Additional SmartX actuator specifications may be found in Table 3 or in the MG350V SmartX Actuator Installation Instructions (F-27852).
- Determine assembly part number. If a complete valve and actuator assembly is required, consult Table 3 for the actuator code of the SmartX actuator selected in Step 3. For the complete assembly part number:
 - Change the valve body part number prefix from VB to VF (for a floating or a two-position or PWM control input signal) or VS (for a 0...10 Vdc, 2...10 Vdc, or 4...20 mA proportional control input signal).
 - Insert the actuator code in the third field of the part number.

- Confirm the availability of the factory assembly by consulting Table 6 (two-way valves) or Table 7 (three-way mixing valves).

Example 1

- Valve body: VB-7213-0-4-04
- Actuator: MG350V-24M (actuator code 110 from Table 3 with a VS valve assembly prefix)
- Complete assembly: VS-7213-110-4-04

MG350V-24M proportional SmartX actuators are field configured for the desired control signal type such as 0...10 Vdc or 2...10 Vdc plus the desired control action (reverse or direct). Consult the appropriate MG350V SmartX Actuator Installation Instructions (F-27852) for further information.

Example 2

- Valve body: VB-7211-0-3-04
- Actuator: MG350V-24F
- Complete assembly: None, Check Tables 6 and 7. This combination is valid only as a field assembly. Order the valve body and actuator and assemble in the field. Consult the appropriate MG350V SmartX Actuator Installation Instructions (F-27852) for further information.

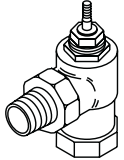
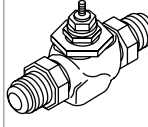
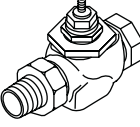
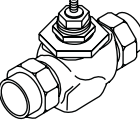
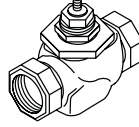
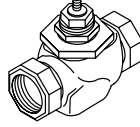
USA: +1 888-444-1311
Europe: +46 10 478 2000
Asia: +65 6484 7877
product.support@schneider-electric.com
www.schneider-electric.com

Life Is On

Schneider
Electric

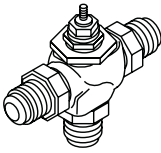
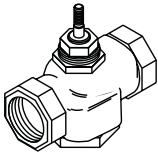
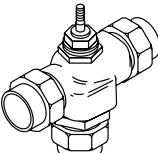
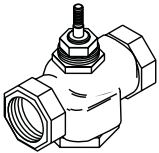
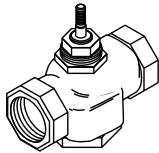
Valve Body and Actuator Selection

Table 1: VB-72xx Series Two-Way Valve Bodies

<ul style="list-style-type: none"> • Stem Up Open or Stem Up Closed • 1/2" ... 1-1/4" Union Angle and Straightway • 5/8" OD SAE Flared • 1/2" ... 2" Union Sweat • 1/2" ... 2" NPT or Rp Threaded • ANSI Pressure Class: 250 PSI up to 400 °F (204 °C) below 150 °F (65 °C) ISO PN16 		Application: Chilled Water, Hot Water, or Low Pressure Steam						
								
Size	1/2" ... 1-1/4"	5/8" OD	1/2" ... 1-1/4"	1/2" ... 2"	1/2" ... 2" 15...50 mm	1/2" ... 2"		
Valve Body Part Number, Stem Up Open	VB-7211-0-3-P	VB-7212-0-4-P	VB-7211-0-4-P	VB-7214-0-4-P	VB-7213-0-4-P VB-7215-0-4-P ^a	VB-7253-0-4-P	VB-7273-0-4-P	
Valve Body Part Number, Stem Up Closed	—	VB-7222-0-4-P	VB-7221-0-4-P	VB-7224-0-4-P	VB-7223-0-4-P VB-7225-0-4-P ^a	VB-7263-0-4-P ^c	VB-7283-0-4-P	
ANSI Seat Leakage ^d	ANSI IV		Designed to ANSI V with ANSI IV above 35 psi (241 kPa) close off. Long term seat leakage dependent on proper water conditioning maintenance of the system. ^d				ANSI III	
Allowable Differential Pressure, Water ^b	35 PSI (241 kPa) for Normal Life		87 PSI (600 kPa) for Normal Life					
Flow Type	Modified Equal %					Modified Linear		
Material	Body	Bronze						
	Stem	316 Stainless Steel						
	Seat	Bronze				316 Stainless Steel		
	Plug	Brass				316 Stainless Steel		
	Packing	Spring Loaded PTFE/EPDM					Spring Loaded PTFE	
	Seat Seal	Soft Seal				PTFE		Metal to Metal
Maximum Inlet Pressure, Steam	35 PSIG (241 kPa)				100 PSIG (690 kPa)		150 PSIG (1034 kPa)	
Allowable Control Media Temperature	20...281 °F (-7...138 °C)				20...340 °F (-7...171 °C)		20...400 °F (-7...205 °C)	
To Select a Port Code (P)								
P Code	Valve Size	Cv (kvs) Rating						
01	1/2" (15 mm)	0.4 (0.34)	0.4 (0.34)	0.4 (0.34)	0.4 (0.34)	0.4 (0.34)	0.4 (0.34)	0.4 (0.34)
02		1.3 (1.1)	1.3 (1.1)	1.3 (1.1)	1.3 (1.1)	1.3 (1.1)	1.3 (1.1)	1.3 (1.1)
03		2.2 (1.9)	2.2 (1.9)	2.2 (1.9)	2.2 (1.9)	2.2 (1.9)	2.2 (1.9)	2.2 (1.9)
04		5.0 (4.3)	4.4 (3.8)	4.4 (3.8)	4.4 (3.8)	4.4 (3.8)	4.4 (3.8)	4.4 (3.8)
05	3/4" (20 mm)	5.5 (4.7)	—	5.5 (4.7)	5.5 (4.7)	5.5 (4.7)	5.5 (4.7)	5.5 (4.7)
06		8.5 (7.4)	—	7.5 (6.5)	7.5 (6.5)	7.5 (6.5)	7.5 (6.5)	7.5 (6.5)
07	1" (25 mm)	14 (12)	—	10 (8.6)	10 (8.6)	10 (8.6)	10 (8.6)	10 (8.6)
08		16 (14)	—	14 (12)	14 (12)	14 (12)	12 (10.4)	12 (10.4)
09	1-1/4" (32 mm)	22 (19)	—	20 (17.3)	20 (17.3)	20 (17.3)	20 (17.3)	20 (17.3)
10	1-1/2" (40 mm)	—	—	—	28 (21.2)	28 (21.2)	28 (21.2)	28 (21.2)
11	2" (50 mm)	—	—	—	40 (34.6)	40 (34.6)	40 (34.6)	40 (34.6)

a) 15...50 mm valves with metric thread Rp 1/2...Rp 2.
 b) Maximum recommended differential in full open position. Do not exceed recommended differential pressure (pressure drop) or integrity of parts may be affected.
 c) VB-7263 series valves with port codes from -28...-82 have the same specifications as the respective matching pipe size VB-7263 series valves with port codes -01...-11.
 d) Actuator close-off ratings are based on ANSI V with EPDM and PTFE discs in steam. VB-7273 and VB-7283 series metal-to-metal units are designed for ANSI III (0.1% ma. leakage) in full port seats.

Table 2: VB-73xx Series Three-Way Valve Bodies

		Application: Chilled or Hot Water or Steam				
<ul style="list-style-type: none"> Mixing or Diverting 5/8" OD SAE Flared 1/2"...2" NPT or Rp Threaded 1/2"...2" Union Sweat ANSI Pressure Class: 250 PSI up to 400 °F (204 °C) below 150 °F (65 °C) ISO PN 16 						
		SAE Flared	NPT Threaded Rp Threaded	Union Sweat	NPT Threaded Rp Threaded	NPT Threaded
Size	5/8" OD	1/2"...2" 15...50 mm	1/2"...2"			
Valve Body Part Number, Mixing^a	VB-7312-0-4-P	VB-7313-0-4-P VB-7315-0-4-P ^b	VB-7314-0-4-P	—	VB-7363-0-4-P	
Valve Body Part Number, Diverting^c	—	—	—	VB-7323-0-4-P VB-7325-0-4-P ^b	—	
Flow Type	Modified Linear					
Material	Body	Bronze				
	Stem	316 Stainless Steel				
	Packing	Spring Loaded PTFE/EPDM				
	Seat	Bronze			316 Stainless Steel	
	Plug	Brass			316 Stainless Steel	
	Soft Seat	Metal to Metal	A Port Soft Seat, B Port Metal to Metal	A Port Soft Seat, B Port Metal to Metal	Metal to Metal with EPDM Port Isolation	A Port PTFE, B Port Metal to Metal
Allowable Control Media Temperature	20...281 °F (-7...138 °C)				20...340 °F (-7...171 °C)	
Allowable Differential Pressure, Water^d	35 PSI (241 kPa) for Normal Life	87 PSI (600 kPa) for Normal Life		35 PSI (241 kPa) for Normal Life	87 PSI (600 kPa) for Normal Life	
A Port ANSI Seat Leakage B port ANSI seat leakage is ANSI III for all three-way valve bodies.	ANSI III	Designed to ANSI V with ANSI IV above 35 psi (241 kPa) close off for the A port. Long term seat leakage dependent on proper water conditioning maintenance of the system.		ANSI III	Designed to ANSI V with ANSI IV above 35 psi (241 kPa) close off for the A port. Long term seat leakage dependent on proper water conditioning maintenance of the system.	
To Select a Port Code (P)						
P Code	Valve Size	Cv (kvs) Rating				
02	1/2" (15 mm)	2.2 (1.9)		—	2.2 (1.9)	
04		4.4 (3.8)				
06	3/4" (20 mm)	—	7.5 (6.5)			
08	1" (25 mm)	—	14 (12)		12 (10.4)	
09	1-1/4" (32 mm)	—	20 (17.3)			
10	1-1/2" (40 mm)	—	28 (21.2)			
11	2" (50 mm)	—	41 (36)	40 (34.6)	36 (31.3)	

a) On VB-7313 and VB-7315 mixing valves, port AB is the common port (located on the side) and ports A and B are inlets. Flow is from B to AB when the valve stem is in up position (port A closed). Flow is from A to AB when valve stem is in down position (port B closed).

b) 15...50 mm valves with metric thread Rp 1/2...Rp 2.

c) On VB-7323 diverting valves, inlet port B is the common port (located on the bottom) and ports AB and A are outlets. When the valve stem is in the up position, flow is from B to AB (port A closed). When the valve stem is in the down position, flow is from port B to A (port AB closed).

d) Maximum recommended differential in full open position. Do not exceed recommended differential pressure (pressure drop) or integrity of parts may be affected.

Table 3: MG350V Actuator Models

Model	Valve Assembly Prefix	Actuator Code	Force, lbf (N)	Approx. Timing in Seconds for 1/2" Stroke	Power ^a	Proportional Input ^b (VDC)	Proportional Input ^c (VDC, mA)	Floating, Two Wire (Form A) Two Position	PWM ^d	Position Output Signal ^e
MG350V-24F	VF	110	79 (350)	102	5 VA	—	—	Yes	—	—
MGF350V-24FP	VF	112	67 (300)	51	7.2 VA	—	—	Yes	Yes	2...10 / 0...5 Vdc
MG350V-24M	VS	110	79 (350)	102		Yes	—	—	—	—
MGF350V-24MP	VS	112	67 (300)	51		—	Yes	—	—	2...10 / 0...5 Vdc

- a) 24 Vac (Class 2 power supply), ±20%, 50/60 Hz, 20...29 Vdc, 5 W; see the MG350V series installation instruction (F-27852) for more information.
- b) DIP switch configurable 0...10 Vdc or 2...10 Vdc control input, (4...20 mA requires an externally mounted 500 ohm resistor).
- c) DIP switch configurable 0...10 Vdc, 2...10 Vdc, or 4...20 mA control input.
- d) DIP switch configurable 0.1...25.5 sec, 0.59...2.93 sec.
- e) DIP switch configurable 2...10 Vdc or 0...5 Vdc.

Table 4: Restrictions on Ambient Temperature for MG350V Series Actuators

Fluid Temperature in Valve Body	Maximum Allowable Ambient Temperature ^a
Chilled water up to 266 °F (130 °C)	131 °F (55 °C)
281 °F (138 °C)	127 °F (53 °C)
340 °F (171 °C)	115 °F (46 °C)
400 °F (204 °C)	102 °F (39 °C)

- a. Minimum allowable ambient operating temperature 14 °F (-10 °C).
- Note: When installing valve and actuator assemblies, observe the minimum and maximum fluid and ambient temperature limits shown in Table 1, Table 2, and Table 4.

Table 5: Select Valve/Actuator Combination Having Sufficient Close-Off for Application

Body		Close-off Ratings, psi (kPa) ^b		Compatible Two-Way Valve Series
P Code	Size	MGF350V-24FP, MGF350V-24MP	MG350V-24F, MG350V-24M	
-01, -02, -03, -04	1/2" (15 mm)	219 (1510)	250 (1724)	VB-7211-0-3-P, VB-7211-0-4-P, VB-7212-0-4-P, VB-7213-0-4-P, VB-7214-0-4-P, VB-7215-0-4-P, VB-7221-0-4-P, VB-7222-0-4-P, VB-7223-0-4-P, VB-7224-0-4-P, VB-7225-0-4-P, VB-7253-0-4-P, VB-7263-0-4-P ^a , VB-7273-0-4-P, VB-7283-0-4-P
-05, -06	3/4" (20 mm)	135 (931)	157 (1082)	
-07, -08	1" (25 mm)	67 (462)	79 (545)	
-09	1-1/4" (32 mm)	42 (290)	49 (338)	
P Code	Size	MGF350V-24FP, MGF350V-24MP	MG350V-24F, MG350V-24M	Compatible Three-Way Valve Series
-02, -04	1/2" (15 mm)	219 (1510)	250 (1724)	VB-7312-0-4-P, VB-7313-0-4-P, VB-7314-0-4-P, VB-7315-0-4-P, VB-7363-0-4-P,
-06	3/4" (20 mm)	135 (931)	157 (1082)	
-08	1" (25 mm)	67 (462)	79 (545)	
-09	1-1/4" (32 mm)	42 (290)	49 (338)	
-04, -06, -08, -09, -10, -11	1/2"...2"	250 (1712)		

- a) VB-7263 series valves with port codes from -28...-82 have the same close-off ratings as the respective matching pipe size VB-7263 series valves with port codes -01...-11.
- b) For higher close-off rating options refer to the U.S. Globe Valve and Actuators Catalog, F-27855.

Factory Assemblies

Table 6: Factory Valve and Actuator Assemblies - Two-Way Valves^a

Valve Assembly Part Number ^b	P Code ^b	Size	Actuator Model (Actuator Code ^{b,c})	
			MGF350V-24FP, MGF350V-24MP (112)	MG350V-24F, MG350V-24M (110)
Vx-7211-xxx-4-P, Vx-7213-xxx-4-P	-01, -02, -03, -04	1/2"	X	X
	-05, -06	3/4"	X	X
	-07, -08	1"	X	X
	-09	1-1/4"	X	X

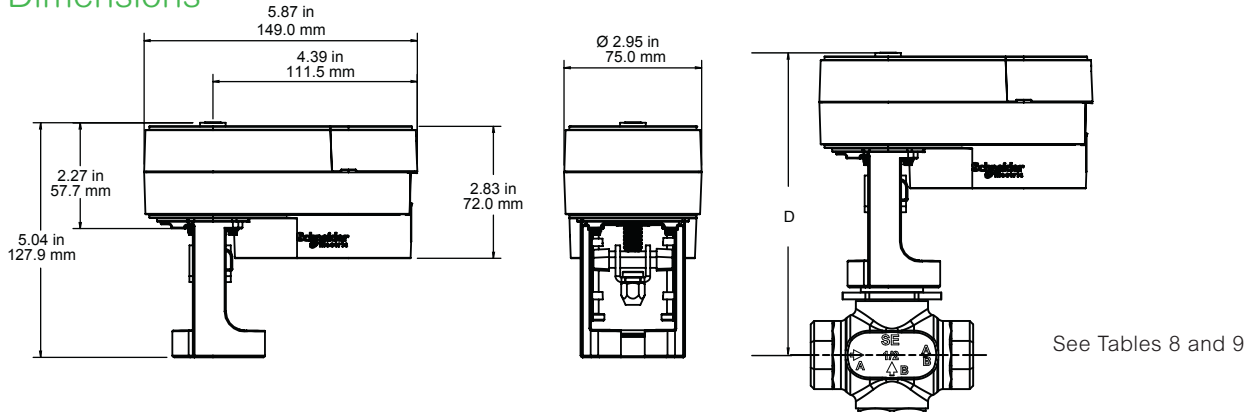
- a) See Table 5 for close-off pressures. Larger size valve and actuator assemblies with lower close-offs may not be available as a factory assembly.
- b) Insert actuator code in third field of assembly part number. Insert P code in last field of assembly part number. Enter VF for a floating or two-position or PWM input signal or VS for a proportional (Vdc/mA) input signal valve and actuator assembly.
- c) Some actuator codes may not be available for all valve assembly part numbers.

Table 7: Factory Valve and Actuator Assemblies — Three-Way Mixing Valves^a

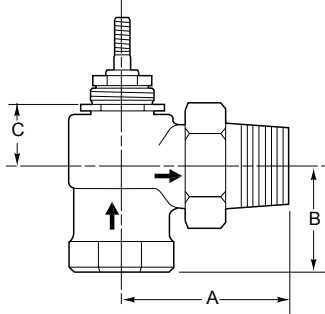
Valve Assembly Part Number ^b	P Code ^b	Size	Actuator Model (Actuator Code ^{b,c})	
			MGF350V-24FP, MGF350V-24MP (112)	MG350V-24F, MG350V-24M (110)
Vx-7313-xxx-4-P	-02, -04	1/2"	X	X
	-06	3/4"	X	X
	-08	1"	X	X
	-09	1-1/4"	X	X

- a) See Table 5 for close-off pressures. Larger size valve and actuator assemblies with lower close-offs may not be available as a factory assembly.
- b) Insert actuator code in third field of assembly part number. Insert P code in last field of assembly part number. Enter VF for a floating or two-position or PWM input signal or VS for a proportional (VDC/mA) input signal valve and actuator assembly.
- c) Some actuator codes may not be available for all valve assembly part numbers.

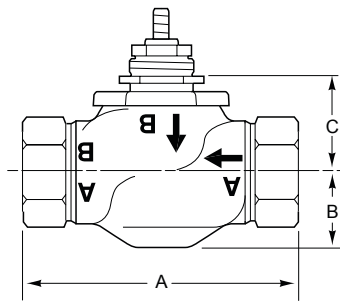
Dimensions



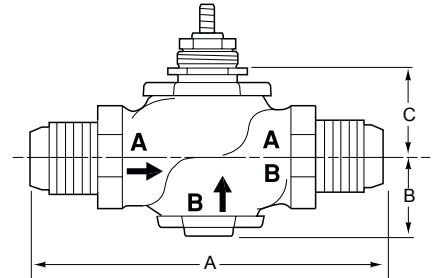
Two-Way Valves (see Table 8 for A, B, C, D values)



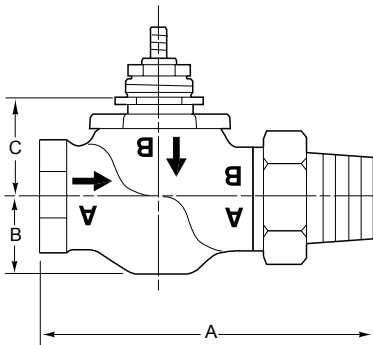
VB-7211-0-3-P Union Angle
VB-7251-0-3-P Union Angle



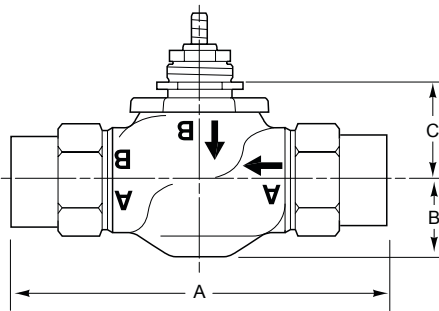
VB-7213-0-4-P NPT Threaded
VB-7215-0-4-P Rp Threaded
VB-7253-0-4-P NPT Threaded
VB-7273-0-4-P NPT Threaded



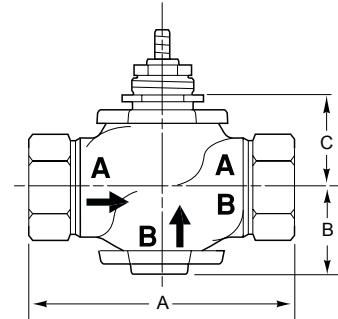
VB-7222-0-4-P SAE Flared



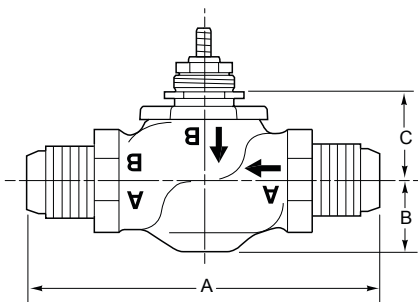
VB-7211-0-4-P Union Straightway
VB-7251-0-4-P Union Straightway



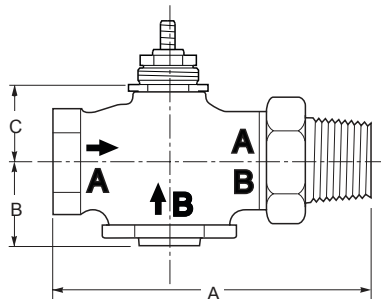
VB-7214-0-4-P Union Sweat



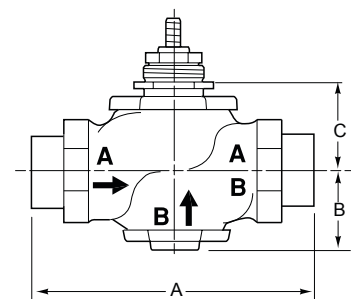
VB-7223-0-4-P NPT Threaded
VB-7225-0-4-P Rp Threaded
VB-7263-0-4-P NPT Threaded
VB-7283-0-4-P NPT Threaded



VB-7212-0-4-P 5/8" OD SAE Flared



VB-7221-0-4-P Union Straightway



VB-7224-0-4-P Union Sweat

Table 8: Two-Way Valve Dimensions

Valve Body Part Number	Size	Dimensions in inches (mm)			
		A	B	C	D ^a
VB-7211-0-3-P	1/2"	3-1/8 (79)	1-5/8 (41)	3/4 (19)	5-7/8 (148)
	3/4"	3-5/8 (92)	1-11/16 (43)	15/16 (24)	6-1/16 (153)
	1"	4-1/16 (103)	1-15/16 (49)	1-1/4 (32)	6-3/8 (161)
	1-1/4"	4-5/16 (110)	2-3/16 (56)	1-11/16 (43)	6-13/16 (172)
VB-7211-0-4-P	1/2"	4-3/16 (106)	1-1/16 (27)	1-1/8 (29)	6-1/4 (158)
	3/4"	4-15/16 (125)	1-1/16 (27)	1-1/8 (29)	6-1/4 (158)
	1"	6 (152)	1-1/8 (29)	1-3/16 (30)	6-5/16 (166)
	1-1/4"	6-1/4 (159)	1-3/8 (35)	1-7/16 (37)	6-9/16 (166)
VB-7212-0-4-P	5/8" O.D.	4 (102)	1-1/16 (27)	1-1/8 (29)	6-14 (158)
VB-7213-0-4-P VB-7215-0-4-P VB-7253-0-4-P VB-7273-0-4-P	1/2" (15 mm)	3 (76)	1-1/16 (27)	1-1/8 (29)	6-1/4 (158)
	3/4" (20 mm)	3-5/8 (92)	1-1/16 (27)	1-1/8 (29)	6-1/4 (158)
	1" (25 mm)	4-5/8 (117)	1-1/8 (29)	1-3/16 (30)	6-5/16 (159)
	1-1/4" (32 mm)	4-5/8 (117)	1-3/8 (35)	1-7/16 (37)	6-9/16 (166)
	1-1/2" (40 mm)	5-3/8 (137)	1-1/2 (38)	1-7/8 (48)	7 (177)
	2" (50 mm)	6-1/8 (156)	1-9/16 (40)	2-1/8 (54)	7-1/4 (183)
VB-7214-0-4-P	1/2" (15 mm)	4-3/16 (106)	1-1/16 (27)	1-1/8 (29)	6-1/4 (158)
	3/4" (20 mm)	5-7/16 (138)	1-1/16 (27)	1-1/8 (29)	6-1/4 (158)
	1" (25 mm)	6-5/8 (168)	1-1/8 (29)	1-3/16 (30)	6-5/16 (159)
	1-1/4" (32 mm)	6-13/16 (173)	1-3/8 (35)	1-7/16 (37)	6-9/16 (166)
	1-1/2" (40 mm)	8-5/16 (211)	1-1/2 (38)	1-7/8 (48)	7 (177)
	2" (50 mm)	9-3/16 (233)	1-9/16 (40)	2-1/8 (54)	7-1/4 (183)
VB-7221-0-4-P	1/2" (15 mm)	4-3/16 (106)	1-1/4 (32)	1-1/8 (29)	6-1/4 (158)
	3/4" (20 mm)	4-15/16 (125)	1-1/4 (32)	1-1/8 (29)	6-1/4 (158)
	1" (25 mm)	6 (152)	1-3/4 (45)	1-3/16 (30)	6-5/16 (159)
	1-1/4" (32 mm)	6-1/4 (159)	1-3/4 (45)	1-7/16 (37)	6-9/16 (166)
VB-7222-0-4-P	5/8" O.D.	4 (102)	1-1/4 (32)	1-1/8 (29)	6-1/4 (158)
VB-7223-0-4-P VB-7225-0-4-P VB-7263-0-4-P VB-7283-0-4-P	1/2" (15 mm)	3-1/16 (78)	1-3/16 (30)	1-1/8 (29)	6-1/4 (158)
	3/4" (20 mm)	3-5/8 (92)	1-3/16 (30)	1-1/8 (29)	6-1/4 (158)
	1" (25 mm)	4-5/8 (117)	1-3/4 (44)	1-3/16 (30)	6-5/16 (159)
	1-1/4" (32 mm)	4-5/8 (117)	1-3/4 (44)	1-7/16 (37)	6-9/16 (166)
	1-1/2" (40 mm)	5-3/8 (137)	1-13/16 (46)	1-9/16 (40)	6-11/16 (169)
	2" (50 mm)	6-1/8 (156)	2-1/4 (57)	1-5/8 (42)	6-3/4 (171)
VB-7224-0-4-P	1/2" (15 mm)	4-3/16 (106)	1-1/4 (32)	1-1/8 (29)	6-1/4 (158)
	3/4" (20 mm)	5-7/16 (138)	1-1/4 (32)	1-1/8 (29)	6-1/4 (158)
	1" (25 mm)	6-5/8 (168)	1-3/4 (45)	1-3/16 (30)	6-5/16 (159)
	1-1/4" (32 mm)	6-13/16 (173)	1-3/4 (45)	1-7/16 (37)	6-9/16 (166)
	1-1/2" (40 mm)	8-5/16 (211)	1-13/16 (45)	1-9/16 (40)	6-11/16 (169)
	2" (50 mm)	9-3/16 (233)	2-1/16 (53)	1-5/8 (42)	6-3/4 (171)

a. Assembly height, centerline of valve body to top of actuator. Leave an additional 8" (203 mm) clearance for actuator cover removal.

Three-Way Valves (see Table 9 for A, B, C, D values)

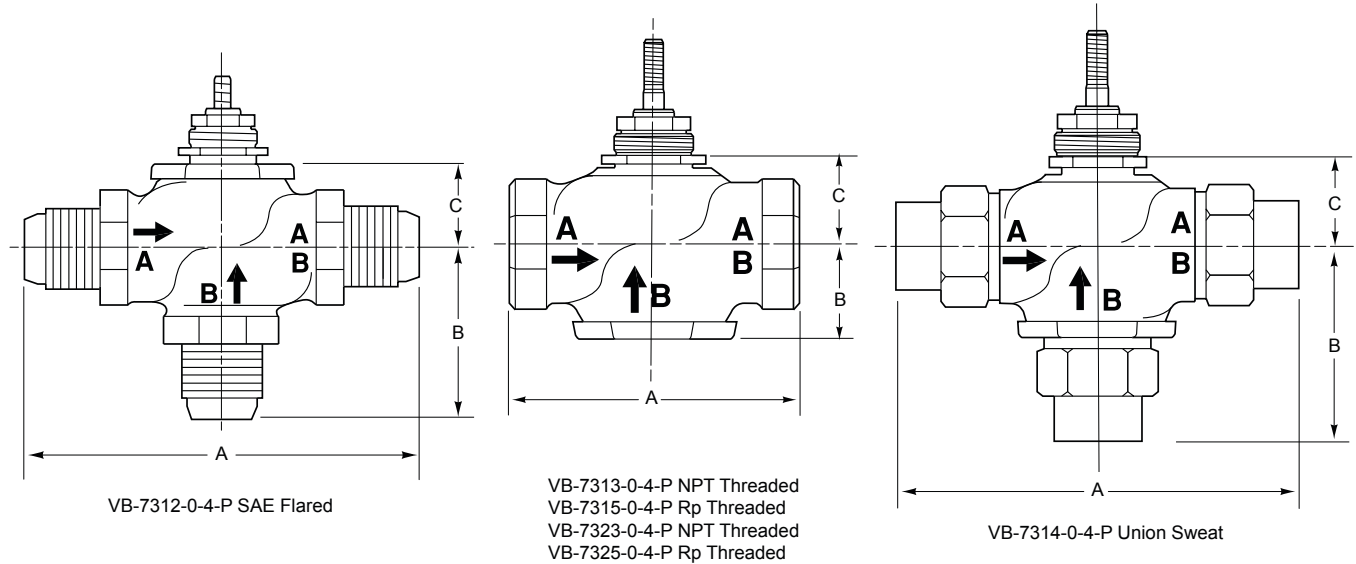


Table 9: Three-Way Valve Dimensions

Valve Body Part Number	Size	Dimensions in inches (mm)			
		A	B	C	D ^a
VB-7312-0-4-P	5/8" OD	4 (102)	2-1/4 (57)	1-1/8 (29)	6-1/4 (158)
VB-7313-0-4-P VB-7315-0-4-P	1/2" (15 mm)	3-1/16 (76)	1-3/4 (44)	1-1/8 (29)	6-1/4 (158)
	3/4" (20 mm)	3-5/8 (92)	1-13/16 (46)	1-1/8 (29)	6-1/4 (158)
	1" (25 mm)	4-5/8 (118)	1-3/4 (44)	1-3/16 (30)	6-5/16 (159)
	1-1/4" (32 mm)	4-5/8 (118)	1-3/4 (44)	1-7/16 (37)	6-9/16 (166)
	1-1/2" (40 mm)	5-3/8 (137)	1-13/16 (46)	1-9/16 (40)	6-11/16 (169)
	2" (50 mm)	6-1/8 (156)	2-1/4 (57)	1-5/8 (42)	6-3/4 (171)
VB-7314-0-4-P	1/2" (15 mm)	4-3/16 (106)	2-5/16 (59)	1-1/8 (29)	6-1/4 (158)
	3/4" (20 mm)	5-7/16 (138)	2-5/8 (67)	1-1/8 (29)	6-1/4 (158)
	1" (25 mm)	6-5/8 (168)	3-3/16 (81)	1-3/16 (30)	6-5/16 (159)
	1-1/4" (32 mm)	6-13/16 (173)	3-7/16 (87)	1-7/16 (37)	6-9/16 (166)
	1-1/2" (40 mm)	8-5/16 (211)	3-3/4 (95)	1-9/16 (40)	6-11/16 (169)
	2" (50 mm)	9-3/16 (233)	4-3/16 (106)	1-5/8 (42)	6-3/4 (171)
VB-7323-0-4-P VB-7325-0-4-P	1/2" (15 mm)	3-1/16 (76)	1-3/8 (35)	1-1/8 (29)	6-1/4 (158)
	3/4" (20 mm)	3-5/8 (92)	1-11/16 (43)	1-1/8 (29)	6-1/4 (158)
	1" (25 mm)	4-5/8 (118)	1-9/16 (40)	1-3/16 (30)	6-5/16 (159)
	1-1/4" (32 mm)	4-5/8 (118)	1-5/8 (41)	1-7/16 (37)	6-9/16 (166)
	1-1/2" (40 mm)	5-3/8 (137)	1-11/16 (43)	1-9/16 (40)	6-11/16 (169)
	2" (50 mm)	6-1/8 (156)	1-7/8 (48)	1-5/8 (42)	6-3/4 (171)

a.Assembly height, centerline of valve body to top of actuator. Leave an additional 8" (203 mm) clearance for actuator cover removal.

Stem and Bonnet Nut Thread Information for All VB-7000 Valve Series

Valve Stem Threads: 1/4"-28 UNF-2A thread

Bonnet Nut Threads: 1-1/4" -16 thread

Bonnet Nut Outer Hex Size: 1-5/8" (use 1-5/8" open end wrench or equivalent)